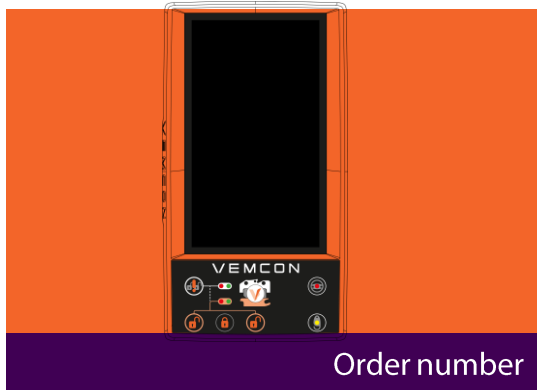


TERMINAL

Preliminary



A compact tablet for digital construction machines.

At a glance / USP

- 7" display with capacitive touch
- Connectivity with LTE/GSM, GPS, Bluetooth
- Safety module for time and safety critical tasks (hardware redundant)
- 4x CAN interface
- Ethernet interface
- USB interface
- Up to 6 functionally safe buttons
- Buzzer and loudspeaker
- 4 analog inputs

Order number

Technical data – electrical ratings

General data	
Supply voltage range	9-35 V
Current consumption	Ca. 500 mA, max. 6 A
Overvoltage protection	ISO 7637 12 und 24 V Pulse 5b max. 58 V
Inverse polarity protection	Yes
Interfaces	
CAN	3x functionally safe with switchable end resistors, 1x over Linux, Max. 1Mbit/s
Ethernet	100Mbit/s, M12 connector
USB	Full/High Speed, Micro USB
Connectivity	
Bluetooth	BLE 4.2
Mobile communication	LTE / 3G / GPRS Max. Downlink 10 Mbit/s, Uplink 5MBit/s
GNSS	GPS, GLONASS, BeiDou/Compass, Galileo

Technical data – mechanical ratings

Mount	RAM Mount
Height	233mm
Width	127mm
Depth without mount and connector	37mm
Depth with RAM Mount	67mm
Protection class	IP65
Weight	1kg (with RAM Mount)
Display	
Resolution	800x480px
Brightness (automatically controlled)	500cd/m ²
Dimension	7"
Processors	
Terminal Display	iMX 6 Dual Lite
Safety	2x ARM Cortex-M

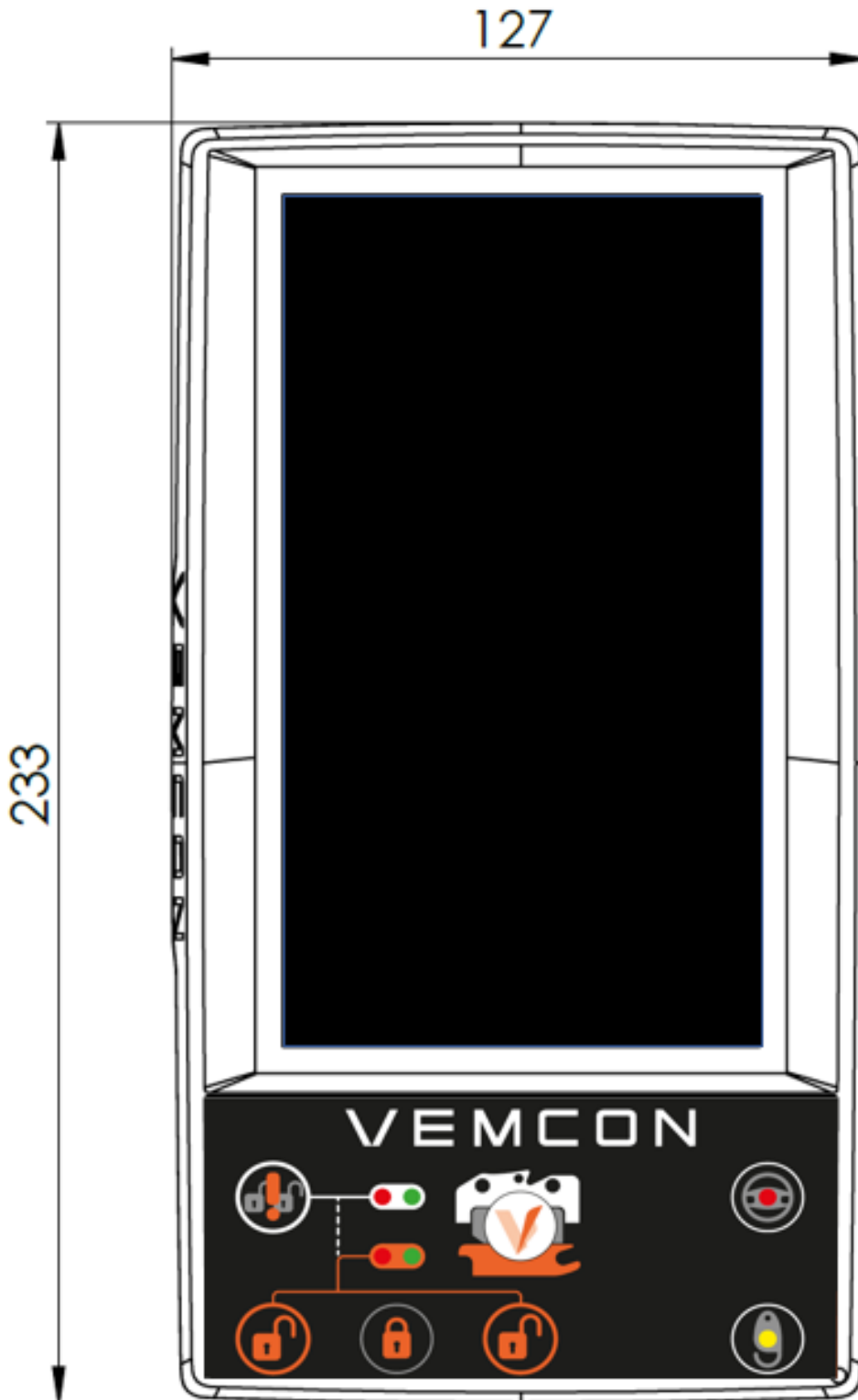
TERMINAL

Preliminary



VEMCON

Machine Control.
Hands-On & Beyond.



Design is subject to modifications. Errors and omissions may occur.

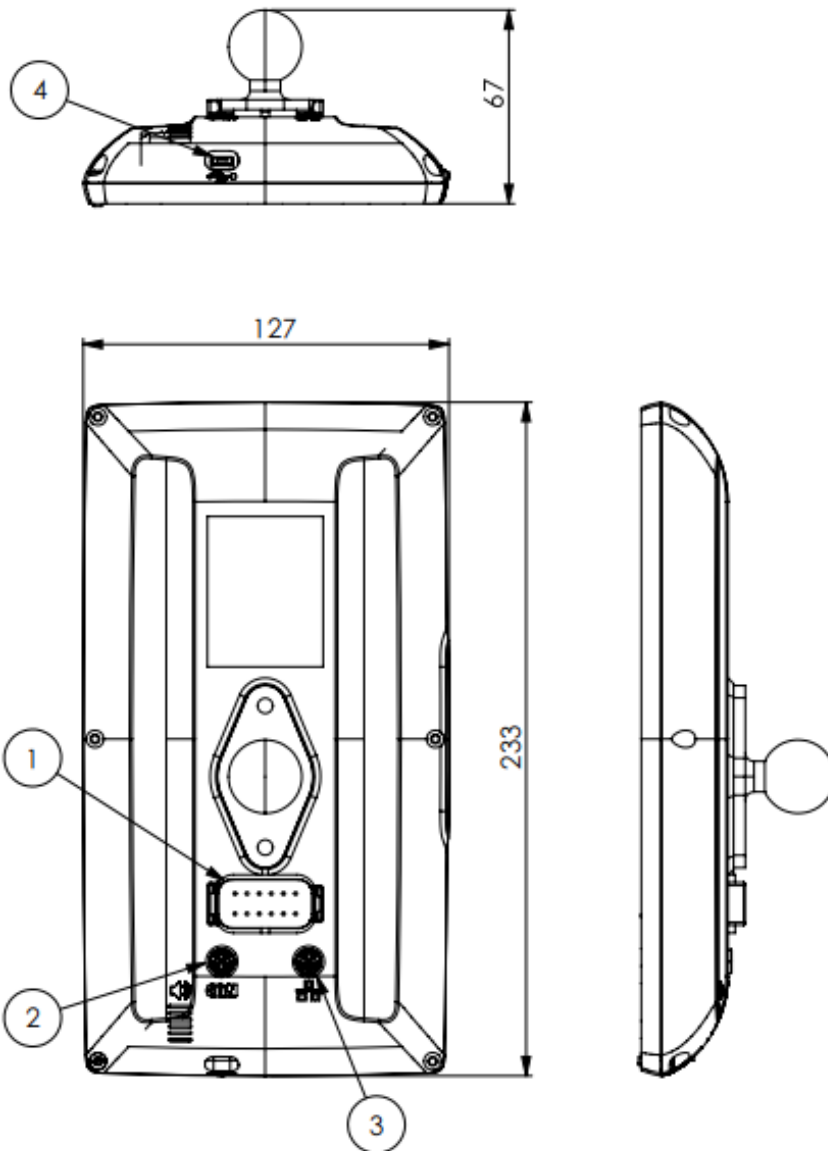
Vemcon is hands-on, tackles challenges and re-thinks. Machine Control. Hands-On & Beyond.

Vemcon GmbH | Hans-Pinsel-Straße 9a | 85540 Haar | +49 89 21541 100 | www.vemcon.de

08/2018

TERMINAL

Preliminary

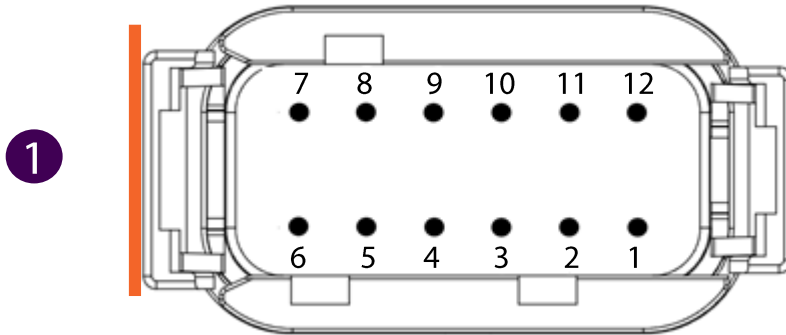


Connector	
1	Power Supply
2	M12 Ethernet Connector
3	M12 CAN Connector
4	Micro USB Connector

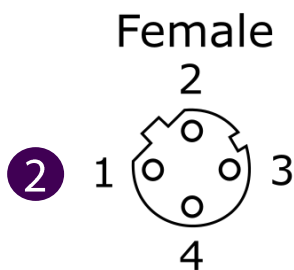
TERMINAL

Preliminary

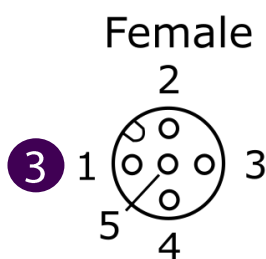
Key DTM04-12 PC



Pin functions			
PIN	Function	PIN	Function
1	Power Supply 9...36V	7	CAN4_L
2	CAN2_H	8	Analog IN 1.1
3	CAN2_L	9	Analog IN 1.2
4	CAN3_H	10	Analog IN 2.1
5	CAN3_L	11	Analog IN 2.2
6	CAN4_H	12	GND



PIN	Function
1	Ethernet TD+
2	Ethernet RD+
3	Ethernet TD-
4	Ethernet RD-



PIN	Function
1	Shield
2	Power Supply 9...36V
3	GND
4	CAN1_H
5	CAN1_L

Design is subject to modifications. Errors and omissions may occur.

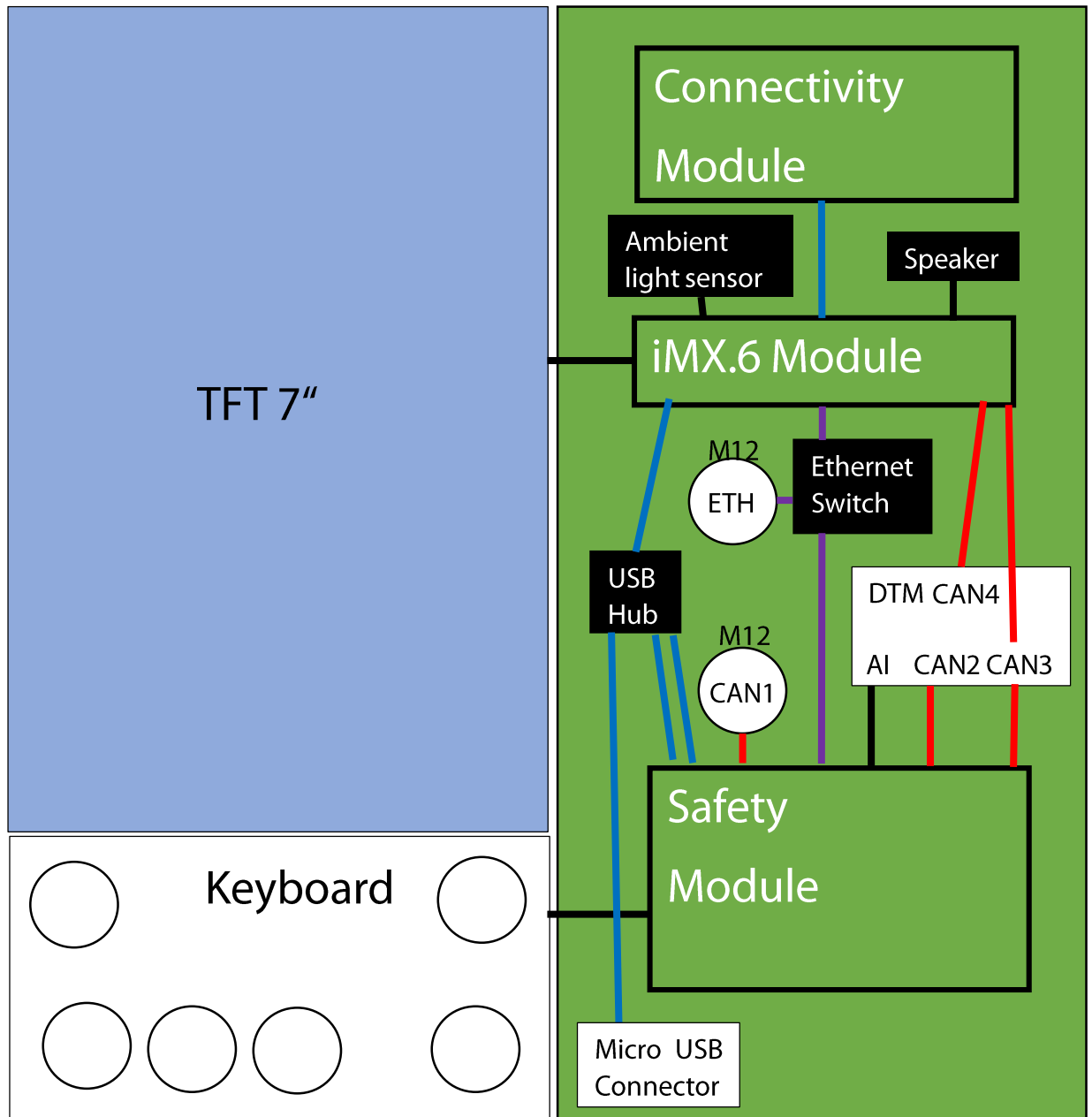


VEMCON

Machine Control.
Hands-On & Beyond.

TERMINAL

Preliminary



Design is subject to modifications. Errors and omissions may occur.



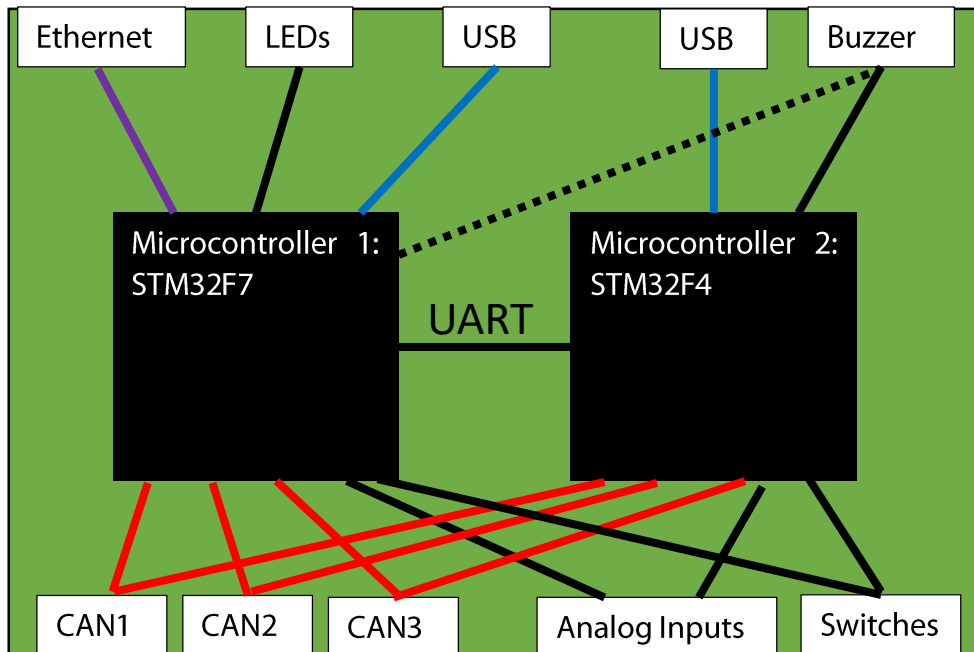
VEMCON

Machine Control.
Hands-On & Beyond.

TERMINAL

Preliminary

Safety Module



Design is subject to modifications. Errors and omissions may occur.