

ToolTracker

Preliminary



An intelligent sensor for attachments.
 Tracks the location of tools and their usage.

At a glance / USP

- Robust housing
- Intelligent algorithms for motion pattern recognition
- Automatic detection of attachments

Order number

Technical data – electrical ratings		Technical data – mechanical ratings	
General data			
Voltage supply	Battery Li-SoCl ₂ , not replaceable	Mount	Screw connection with welded mounting ring
Lifetime	Depending on utilization, approx. 2-6 years	Housing	ABS/PC
Temperature	-35 °C – 85 °C	Mounting ring	Steel 1.0580 E355
Sensors		Height	70 mm
Acceleration	Max 16 g	Width	100 mm
Yaw rate (Gyro)	Max 2,000 dps	Depth	25 mm
Magnetometer	+/- 50 gauss	Depth mounting ring	15 mm
Others	Tamper detection, temperature	Protection class	IP69
Connectivity		Weight	450 g
Bluetooth	Bluetooth 5		
Mobile communication	NB-IoT / LTE Cat. M1 / 2G EGPRS		
GNSS	GPS, GLONASS, BeiDou/Compass, Galileo		

Design is subject to modifications. Errors and omissions may occur.

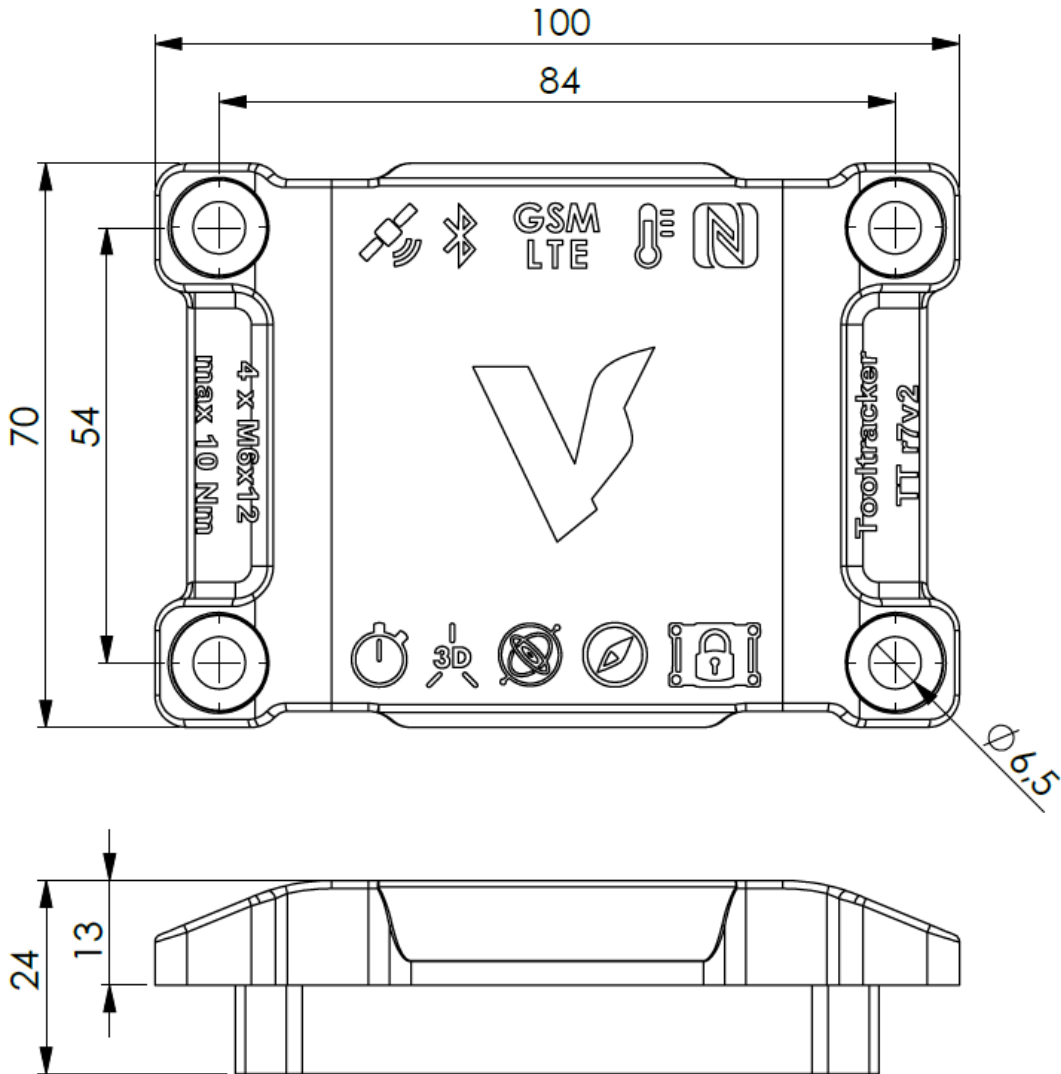


VEMCON

Machine Control.
Hands-On & Beyond.

ToolTracker

Preliminary



Design is subject to modifications. Errors and omissions may occur.



VEMCON

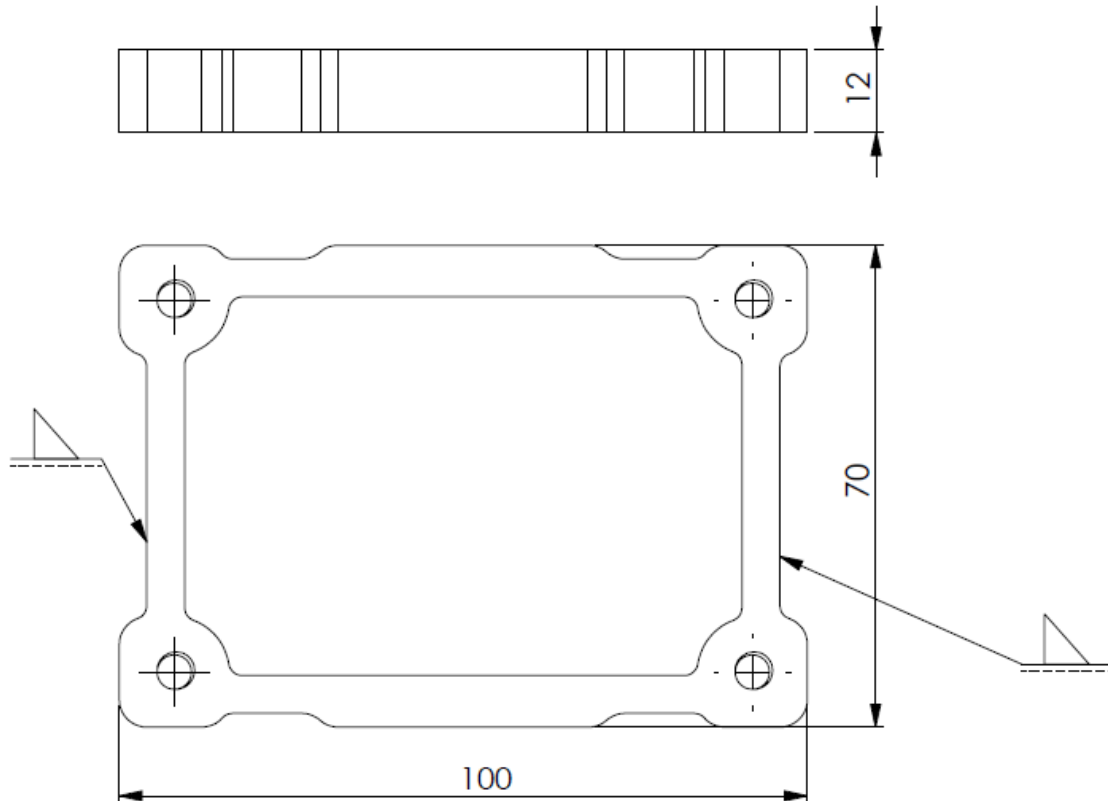
Machine Control.
Hands-On & Beyond.

ToolTracker

Preliminary

Technical Accessoire

Weld-on connecting plate



Design is subject to modifications. Errors and omissions may occur.