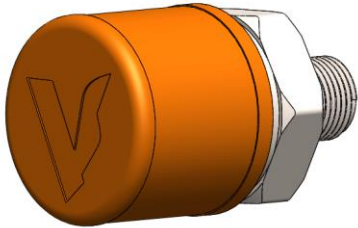


# Pressure Sensor

Preliminary



Battery-powered pressure sensor for wireless data transmission

### At a glance / USP

- Robust housing
- Low power consumption
- No wiring required

Order number

Technical data – electrical ratings		Technical data – mechanical ratings	
<b>General data</b>		Housing	ABS/PC
Voltage supply	Battery Li-SoCl <sub>2</sub> , not replaceable	Connection	G ¼"
Lifetime	Depending on utilization, approx. 2-6 years	Height	50 mm
Temperature	-35 °C – 85 °C	Diameter	32 mm
<b>Sensors</b>		Depth	25 mm
Pressure sensor	Measurement range 0-400 bar	Protection class	IP69
Others	Ambient temperature	Weight	100 g
<b>Connectivity</b>		Width across flats	27 mm
Bluetooth	Bluetooth 5		

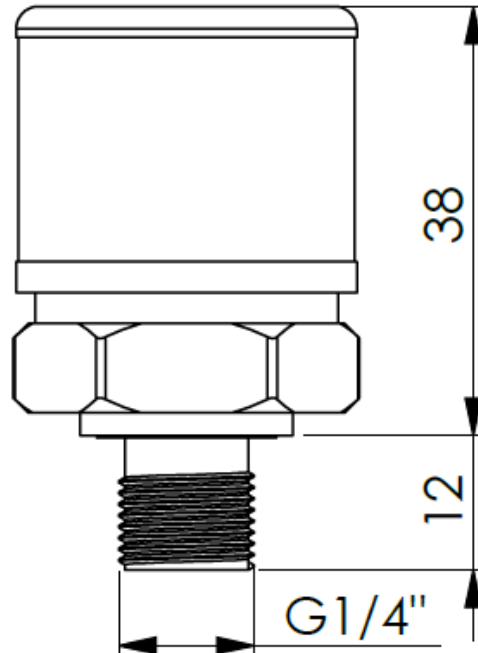
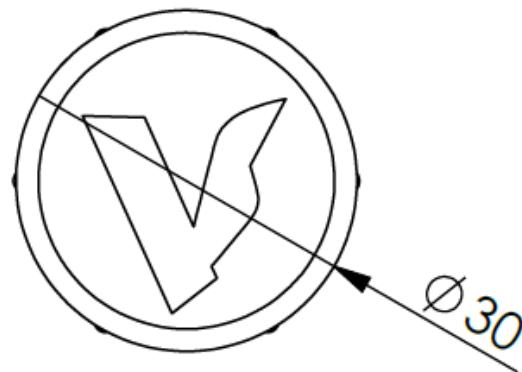


VEMCON

Machine Control.  
Hands-On & Beyond.

# Pressure Sensor

Preliminary



Design is subject to modifications. Errors and omissions may occur.