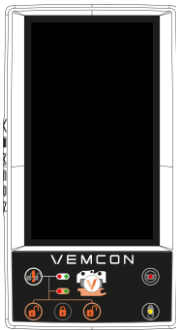


# TERMINAL

Preliminary



A compact tablet for digital construction machines.

### At a glance / USP

- 7" display with capacitive touch
- Connectivity with LTE/GSM, GPS, Bluetooth
- Safety module for time and safety critical tasks (hardware redundant)
- 4x CAN interface
- Ethernet interface
- USB interface
- Up to 6 functionally safe buttons
- Buzzer and loudspeaker
- 4 analog inputs

### Technical data – electrical ratings

| General data                |  |
|-----------------------------|--|
| Supply voltage range        | 9-35 V   |
| Current consumption         | Ca. 500 mA, max. 6 A   |
| Overvoltage protection      | ISO 7637 12 und 24 V<br>Pulse 5b max. 58 V   |
| Inverse polarity protection | Yes  |
| Interfaces                  |  |
| CAN                         | 3x functionally safe with switchable end resistors,<br>1x over Linux, Max. 1Mbit/s |
| Ethernet                    | 100Mbit/s, M12 connector   |
| USB                         | Full/High Speed, Micro USB   |
| Connectivity                |  |
| Bluetooth                   | BLE 4.2  |
| Mobile communication        | LTE / 3G / GPRS<br>Max. Downlink 10 Mbit/s,<br>Uplink 5MBit/s                      |
| GNSS                        | GPS, GLONASS,<br>BeiDou/Compass, Galileo   |

### Technical data – mechanical ratings

| Mount                                 | RAM Mount            |
|---------------------------------------|----------------------|
| Height                                | 233mm                |
| Width                                 | 127mm                |
| Depth without mount and connector     | 37mm                 |
| Depth with RAM Mount                  | 67mm                 |
| Protection class                      | IP65                 |
| Weight                                | 1kg (with RAM Mount) |
| Display                               |                      |
| Resolution                            | 800x480px            |
| Brightness (automatically controlled) | 500cd/m <sup>2</sup> |
| Dimension                             | 7"                   |
| Processors                            |                      |
| Terminal Display                      | iMX 6 Dual Lite      |
| Safety                                | 2x ARM Cortex-M      |

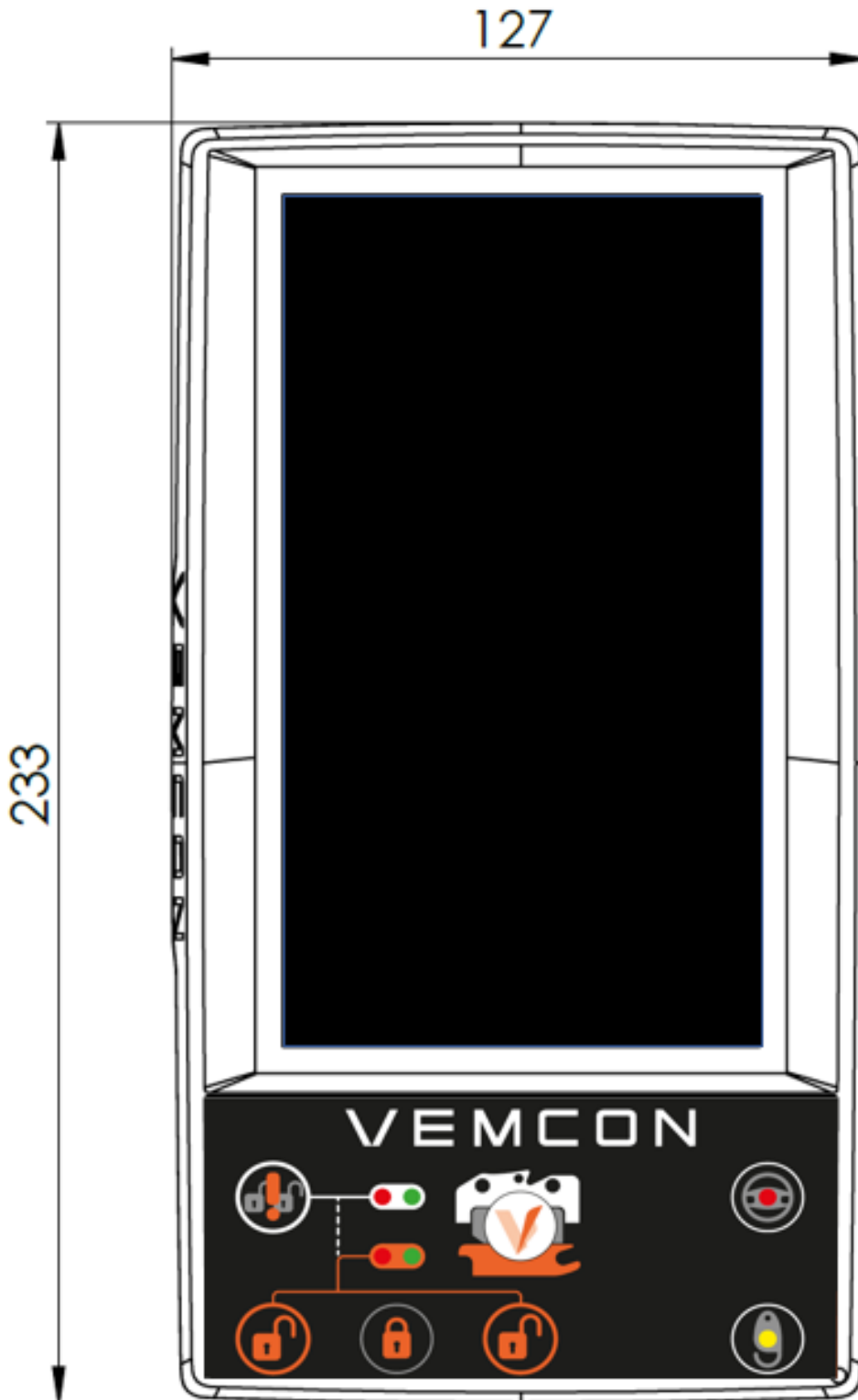
# TERMINAL

Preliminary



VEMCON

Machine Control.  
Hands-On & Beyond.



Design is subject to modifications. Errors and omissions may occur.

Vemcon – a hands-on company that re-thinks machine control.

Vemcon GmbH | Hans-Pinsel-Straße 9a | 85540 Haar | +49 89 21541 100 | [www.vemcon.de](http://www.vemcon.de)

10/2018

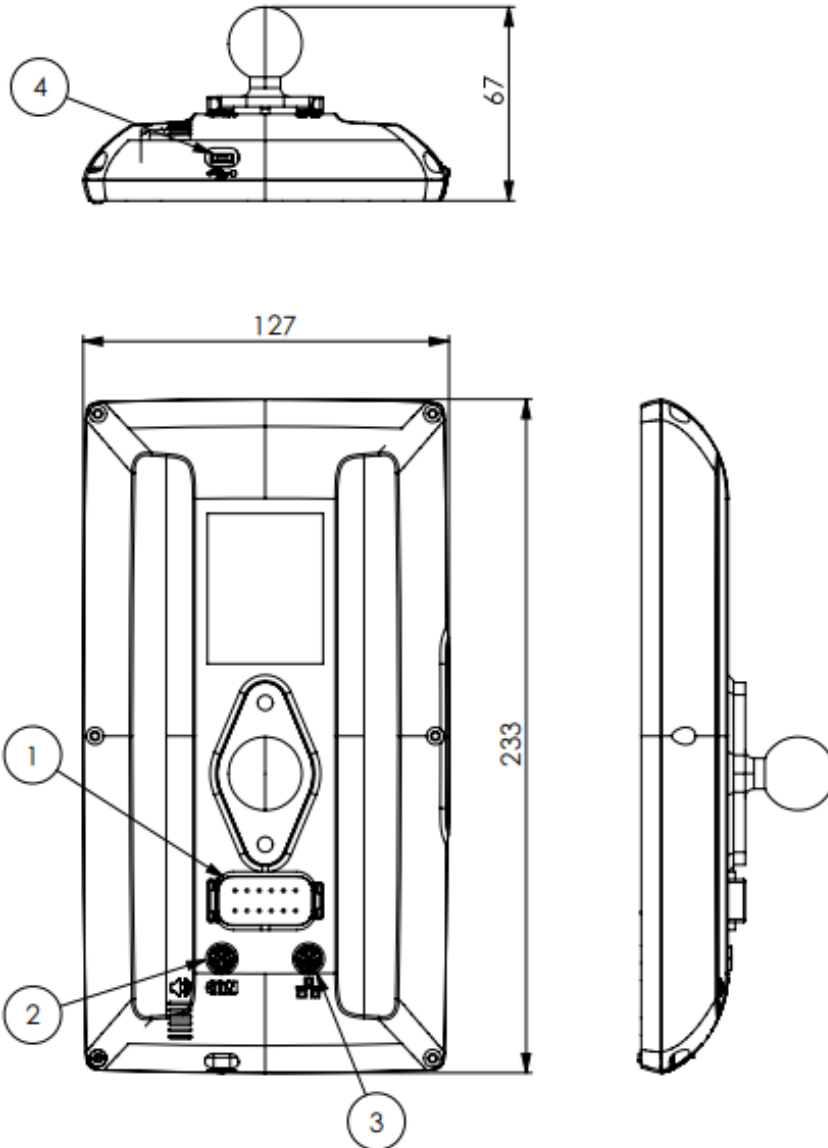


VEMCON

Machine Control.  
Hands-On & Beyond.

# TERMINAL

Preliminary



| Connector |                        |
|-----------|------------------------|
| 1         | Power Supply           |
| 2         | M12 Ethernet Connector |
| 3         | M12 CAN Connector      |
| 4         | Micro USB Connector    |

Design is subject to modifications. Errors and omissions may occur.

**Vemcon – a hands-on company that re-thinks machine control.**

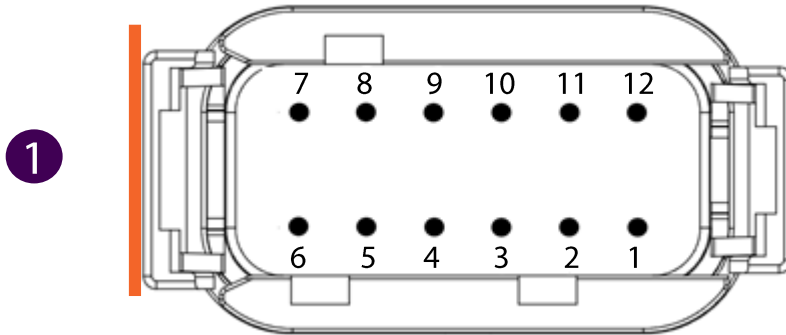
Vemcon GmbH | Hans-Pinsel-Straße 9a | 85540 Haar | +49 89 21541 100 | [www.vemcon.de](http://www.vemcon.de)

10/2018

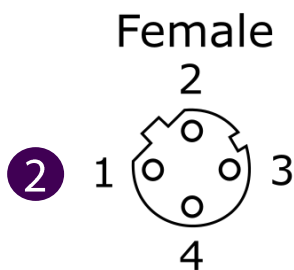
# TERMINAL

Preliminary

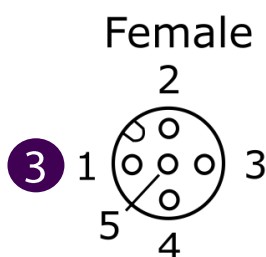
Key DTM04-12 PC



| Pin functions |                      |     |               |
|---------------|----------------------|-----|---------------|
| PIN           | Function             | PIN | Function      |
| 1             | Power Supply 9...36V | 7   | CAN4_L        |
| 2             | CAN2_H               | 8   | Analog IN 1.1 |
| 3             | CAN2_L               | 9   | Analog IN 1.2 |
| 4             | CAN3_H               | 10  | Analog IN 2.1 |
| 5             | CAN3_L               | 11  | Analog IN 2.2 |
| 6             | CAN4_H               | 12  | GND           |



| PIN | Function     |
|-----|--------------|
| 1   | Ethernet TD+ |
| 2   | Ethernet RD+ |
| 3   | Ethernet TD- |
| 4   | Ethernet RD- |



| PIN | Function             |
|-----|----------------------|
| 1   | Shield               |
| 2   | Power Supply 9...36V |
| 3   | GND                  |
| 4   | CAN1_H               |
| 5   | CAN1_L               |

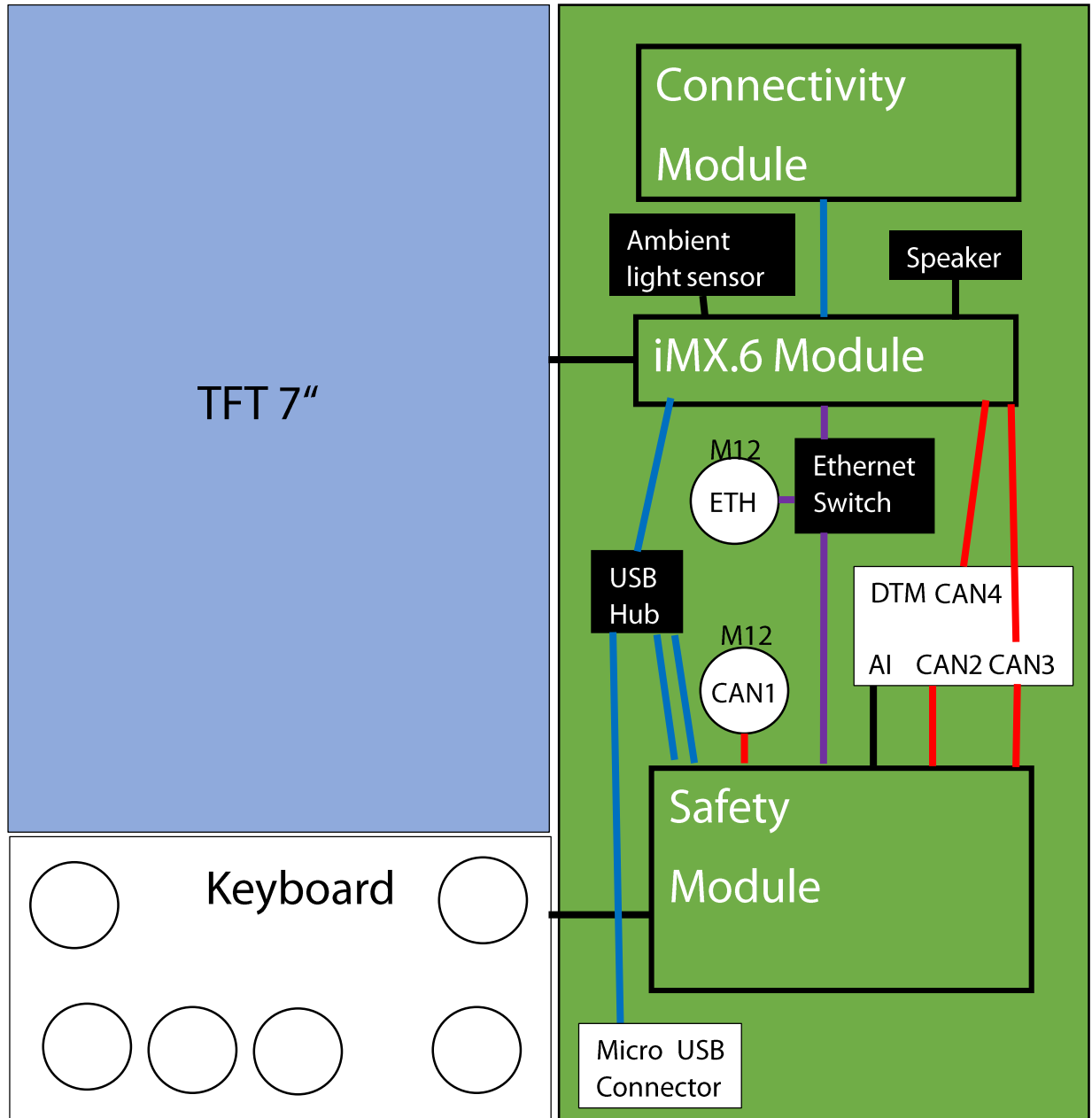


VEMCON

Machine Control.  
Hands-On & Beyond.

# TERMINAL

Preliminary



Design is subject to modifications. Errors and omissions may occur.



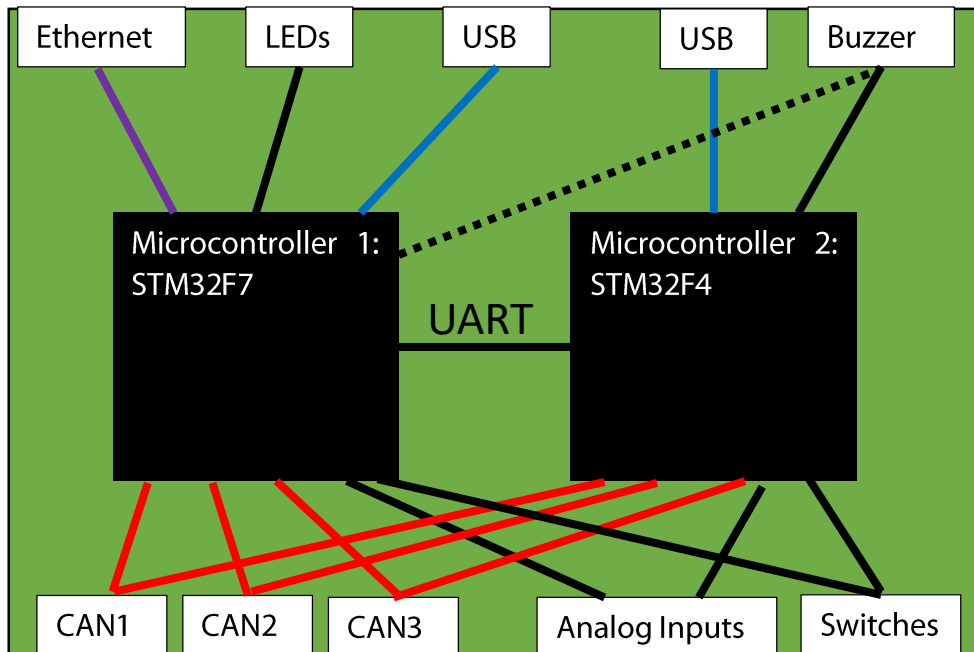
VEMCON

Machine Control.  
Hands-On & Beyond.

# TERMINAL

Preliminary

## Safety Module



Design is subject to modifications. Errors and omissions may occur.

Vemcon – a hands-on company that re-thinks machine control.

Vemcon GmbH | Hans-Pinsel-Straße 9a | 85540 Haar | +49 89 21541 100 | [www.vemcon.de](http://www.vemcon.de)

10/2018