

# ToolTracker

Model S



An intelligent sensor for attachments.  
 Tracks the location of tools and their usage.

### At a glance / USP

- Robust housing, integration directly into tool (without steel ring)
- Intelligent algorithms for motion pattern recognition (e.g. working hours, misuse, inactive, tool connected to excavator)
- Position Tracking
- Automatic detection of attachments (digital tag: type of tool, information)



Technical data – electrical ratings		Technical data – mechanical ratings																			
<b>General data</b>		<table border="1"> <tr> <td>Mount</td> <td> <ul style="list-style-type: none"> <li>• Screw connection with welded mounting ring</li> <li>• screw connection with mounting ring</li> <li>• direct integration into tool (screwed)</li> </ul> </td> </tr> <tr> <td>Housing</td> <td>ABS/PC</td> </tr> <tr> <td>Mounting ring</td> <td>Steel 1.0580 E355</td> </tr> <tr> <td>Height</td> <td>70 mm</td> </tr> <tr> <td>Width</td> <td>100 mm</td> </tr> <tr> <td>Depth</td> <td>25 mm</td> </tr> <tr> <td>Depth mounting ring</td> <td>15 mm</td> </tr> <tr> <td>Protection class</td> <td>IP69</td> </tr> <tr> <td>Weight</td> <td>450 g</td> </tr> </table>		Mount	<ul style="list-style-type: none"> <li>• Screw connection with welded mounting ring</li> <li>• screw connection with mounting ring</li> <li>• direct integration into tool (screwed)</li> </ul>	Housing	ABS/PC	Mounting ring	Steel 1.0580 E355	Height	70 mm	Width	100 mm	Depth	25 mm	Depth mounting ring	15 mm	Protection class	IP69	Weight	450 g
Mount	<ul style="list-style-type: none"> <li>• Screw connection with welded mounting ring</li> <li>• screw connection with mounting ring</li> <li>• direct integration into tool (screwed)</li> </ul>																				
Housing	ABS/PC																				
Mounting ring	Steel 1.0580 E355																				
Height	70 mm																				
Width	100 mm																				
Depth	25 mm																				
Depth mounting ring	15 mm																				
Protection class	IP69																				
Weight	450 g																				
Voltage supply	Battery Li-SoCl <sub>2</sub> , not replaceable/ rechargeable																				
Lifetime	Depending on utilization, approx. 5+ years																				
Temperature	-35 °C – 85 °C																				
<b>Sensors</b>																					
Acceleration	Max 16 g																				
Yaw rate (Gyro)	Max 2,000 dps																				
Magnetometer	+/- 50 gauss																				
Others	Tamper detection, temperature																				
<b>Connectivity</b>																					
Bluetooth	Bluetooth 5, Range: approx. 500m (line of sight)																				
Mobile communication	NB-IoT / LTE Cat. M1 / 2G EGPRS																				
GNSS	GPS, GLONASS, BeiDou/Compass, Galileo																				
NFC																					

Design is subject to modifications. Errors and omissions may occur.

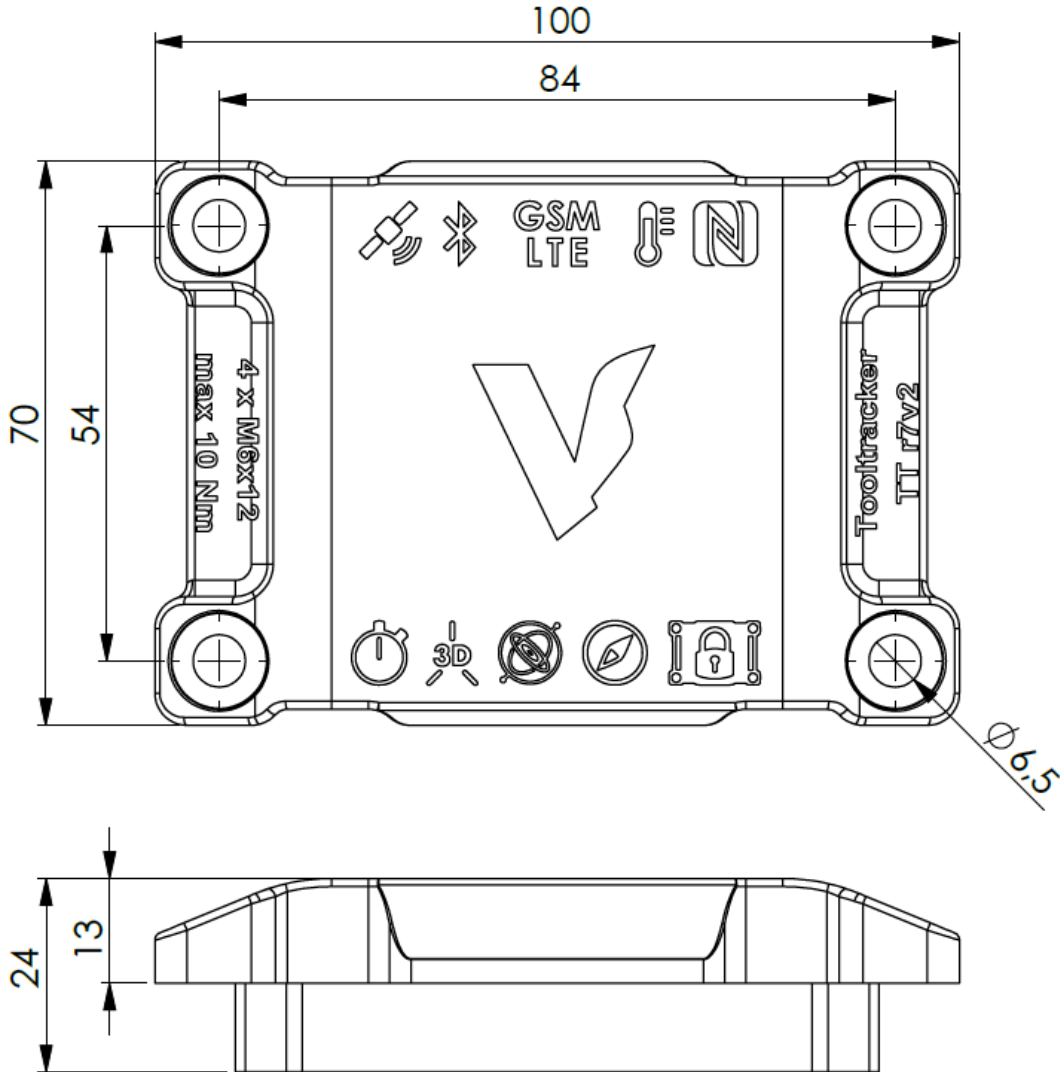
# ToolTracker

Model S



VEMCON

Machine Control.  
Hands-On & Beyond.



Design is subject to modifications. Errors and omissions may occur.



VEMCON

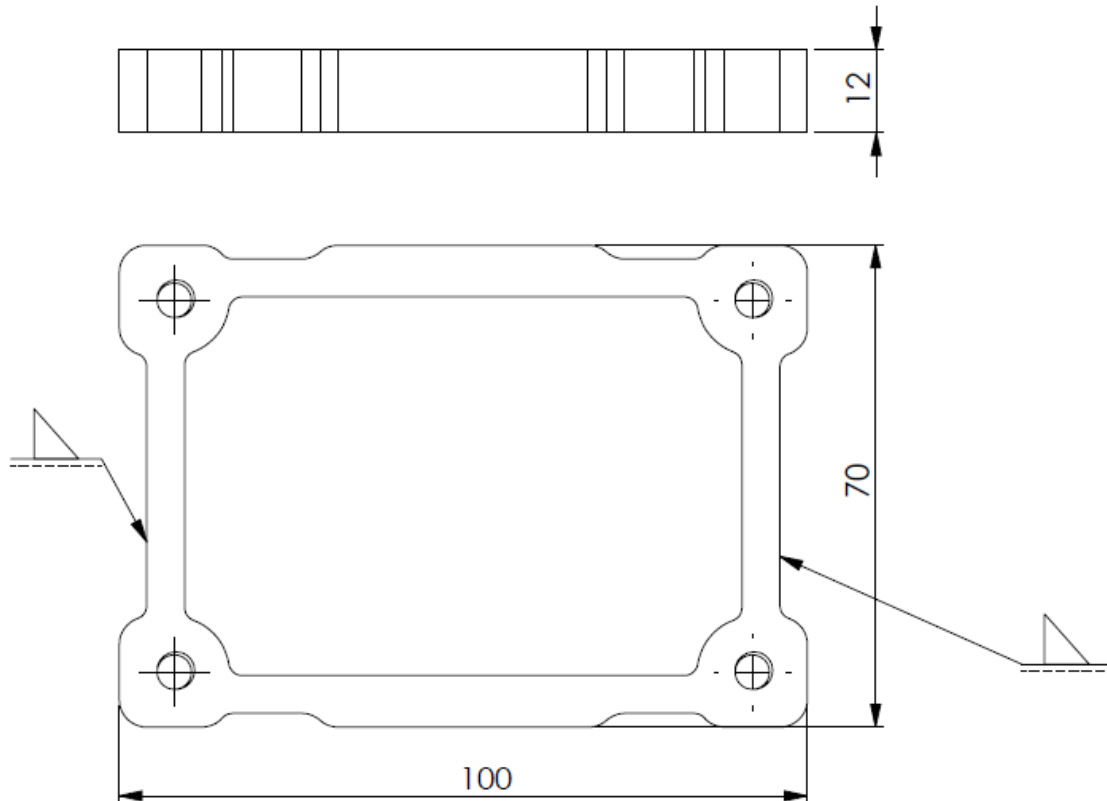
Machine Control.  
Hands-On & Beyond.

# ToolTracker

Model S

## Technical Accessoire

Weld-on connecting plate



Design is subject to modifications. Errors and omissions may occur.

Vemcon is hands-on, tackles challenges and re-thinks. Machine Control. Hands-On & Beyond.

Vemcon GmbH | Hans-Pinsel-Straße 9a | 85540 Haar | +49 89 21541 100 | [www.vemcon.de](http://www.vemcon.de)

08/2018