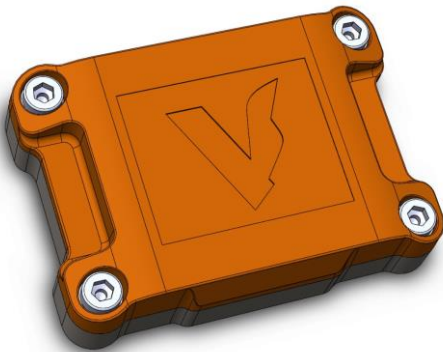


ToolTracker

Basic



An intelligent sensor for attachments.
 Tracks the location of tools and their usage.

At a glance / USP

- Robust housing, integration directly into tool (without steel ring)
- Intelligent algorithms for motion pattern recognition (e.g. working hours, misuse, inactive, tool connected to excavator)
- Position Tracking
- Automatic detection of attachments (digital tag: type of tool, information)

Technical data – electrical ratings		Technical data – mechanical ratings											
General data		<table border="1"> <tr> <td>Mount</td> <td> <ul style="list-style-type: none"> • Screw connection with welded mounting ring • screw connection with mounting ring • direct integration into tool (screwed) </td> </tr> <tr> <td>Housing</td> <td>ABS/PC</td> </tr> <tr> <td>Mounting ring</td> <td>Steel 1.0580 E355</td> </tr> <tr> <td>Height</td> <td>70 mm</td> </tr> <tr> <td>Width</td> <td>100 mm</td> </tr> </table>		Mount	<ul style="list-style-type: none"> • Screw connection with welded mounting ring • screw connection with mounting ring • direct integration into tool (screwed) 	Housing	ABS/PC	Mounting ring	Steel 1.0580 E355	Height	70 mm	Width	100 mm
Mount	<ul style="list-style-type: none"> • Screw connection with welded mounting ring • screw connection with mounting ring • direct integration into tool (screwed) 												
Housing	ABS/PC												
Mounting ring	Steel 1.0580 E355												
Height	70 mm												
Width	100 mm												
Voltage supply	Battery Li-SoCl ₂ , not replaceable/ rechargeable												
Lifetime	Depending on utilization, approx. 5+ years												
Temperature	-35 °C – 85 °C												
Sensors		Depth	25 mm										
Acceleration	Max 16 g	Depth mounting ring	15 mm										
Yaw rate (Gyro)	Max 2,000 dps	Protection class	IP69										
Magnetometer	+/- 50 gauss	Weight	450 g										
Others	Tamper detection, temperature												
Connectivity													
Bluetooth®	Bluetooth® v5 Low Energy, Range: approx. 500m (line of sight)												
Mobile communication	NB-IoT / LTE Cat. M1 / 2G EGPRS												
GNSS	GPS, GLONASS, BeiDou/Compass, Galileo												
NFC													

Design is subject to modifications. Errors and omissions may occur.

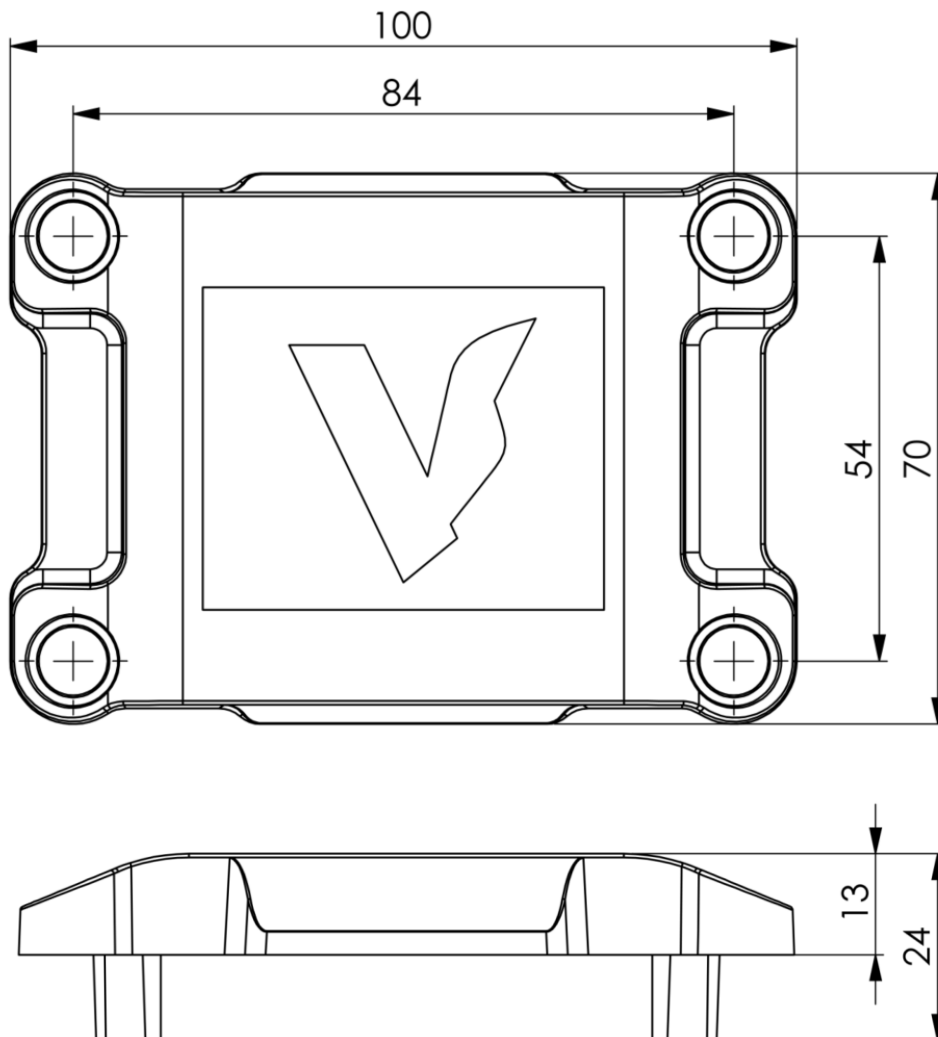


VEMCON

Machine Control.
Hands-On & Beyond.

ToolTracker

Basic



Design is subject to modifications. Errors and omissions may occur.



VEMCON

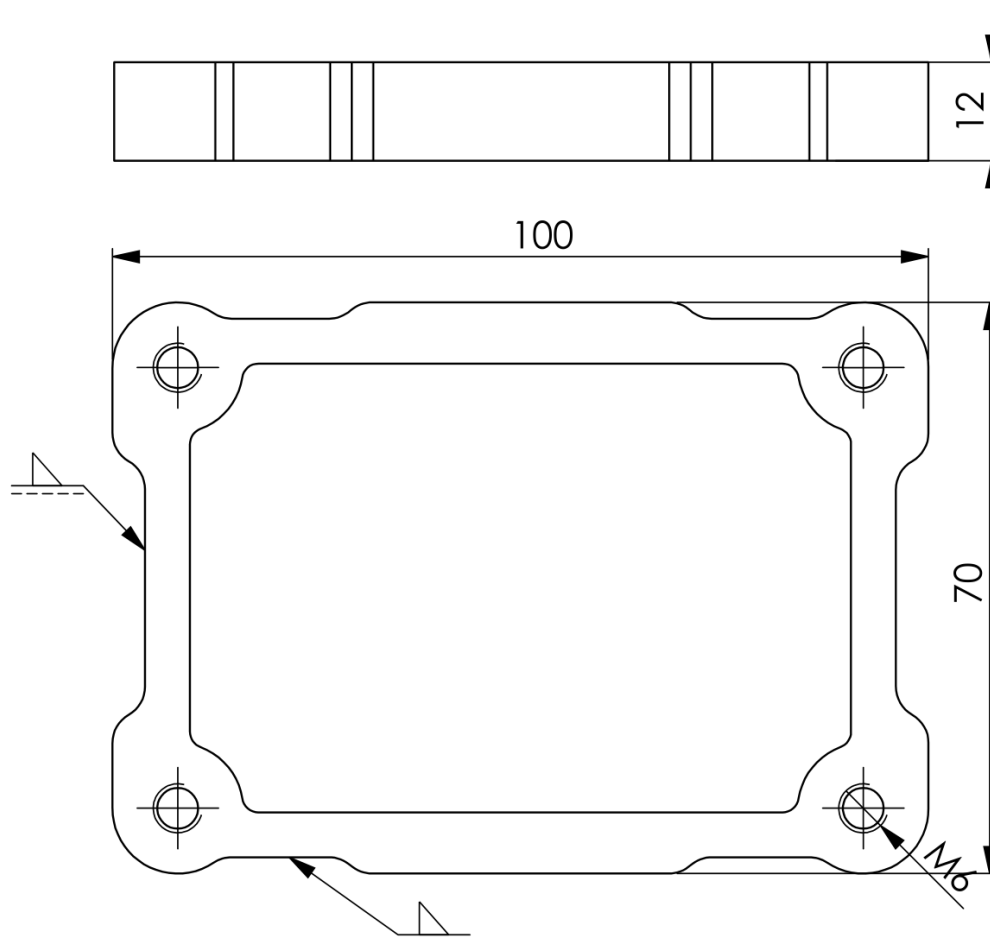
Machine Control.
Hands-On & Beyond.

ToolTracker

Basic

Technical Accessoire

Weld-on connecting plate



Design is subject to modifications. Errors and omissions may occur.