

# CPX-Terminal



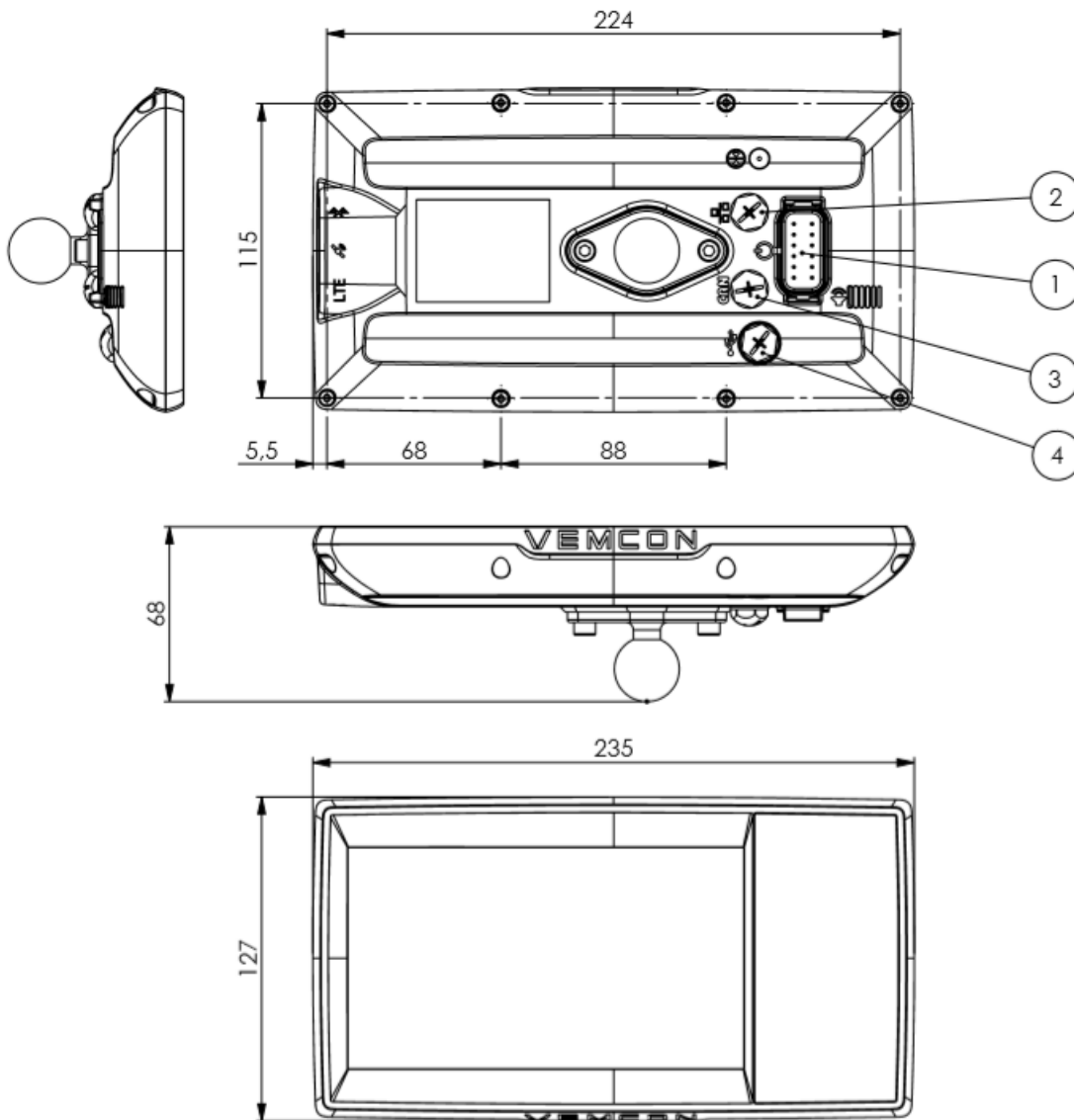
A compact tablet for digital construction machines.

## At a glance /USP

- Connectivity with LTE/GSM, GPS, Bluetooth
- Safety module for time and safety critical tasks (hardware redundant)
- Up to 6x CAN interface
- Ethernet interface
- Buzzer and loudspeaker

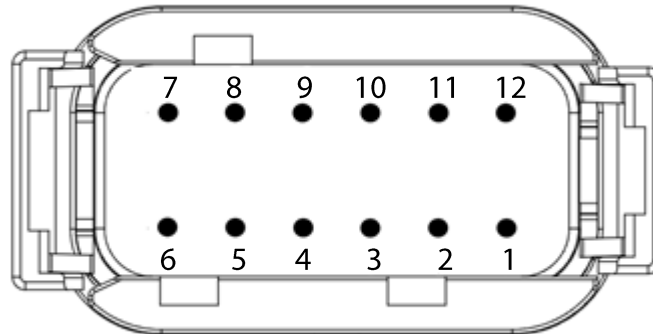
<b>Technical data – electrical ratings</b>	
<b>General data</b>	
Supply voltage range	9-36 V
Current consumption	Ca. 500 mA, max. 6 A
Overvoltage protection	ISO 7637 12 und 24 V pulse 5b max. 65 V
Reverse polarity protection	Yes
Material	ABS
<b>Interfaces</b>	
CAN	5x functionally safe with switchable end resistors, 1x over Linux, Max. 1Mbit/s
Ethernet	10/100Mbit/s, M12 connector
USB	Full/High Speed, Micro USB
<b>Connectivity</b>	
Bluetooth	BLE 4.2
Mobile communication	LTE / 2G / 3G / GPRS;
GNSS	GPS, GLONASS, BeiDou/Compass, Galileo
<b>Technical data – mechanical ratings</b>	
Mount	RAM Mount B
Height	235 mm
Width	127 mm
Depth	70 mm
Protection class	IP65
Processor Safety	ARM Cortex-M4, ARM Cortex-M7
<b>Display</b>	
Resolution	1024x600px
Brightness (automatically controlled)	1000cd/m <sup>2</sup>
Dimension	7"
Processor	iMX 6 Dual Lite

## Dimensions



Connector	Function
1	DTM04-12 (Power Supply)
2	M12 Ethernet Connector
3	M12 CAN Connector
4	Micro USB Connector

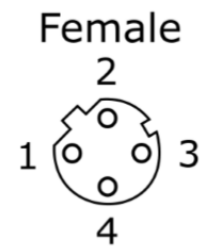
## Pin-assignment DTM04-12 PC



PIN	Function	PIN	Function
1	Power Supply 9...36V	7	CAN6_L
2	CAN2_H	8	CAN4_H
3	CAN2_L	9	CAN4_L
4	CAN3_H	10	CAN5_H
5	CAN3_L	11	CAN5_L
6	CAN6_H	12	GND

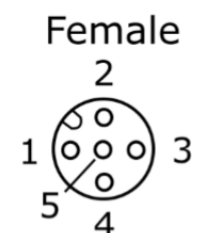
## Pin-assignment M12 Ethernet Connector

PIN	Function
1	Ethernet TD+
2	Ethernet RD+
3	Ethernet TD-
4	Ethernet RD-



## Pin-assignment M12 CAN Connector

PIN	Function
1	Shield
2	Power Supply 9...36 V
3	GND
4	CAN1_H
5	CAN1_L



## Structure

Safety Module:

