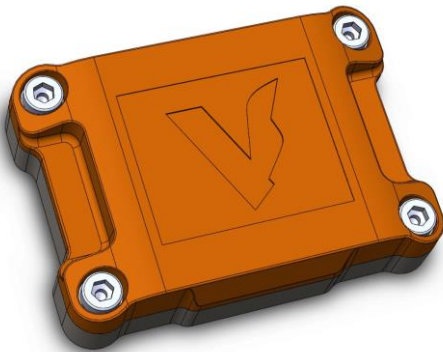


ToolTracker

Basic



An intelligent sensor for attachments.
 Tracks the location of tools and their usage.

At a glance/ USP

- Robust housing, integration directly into tool (with or without steel ring)
- Intelligent algorithms for motion recognition (e.g., working hours, inactive hours)
- Position tracking
- Automatic detection of attachments (digital tag: type of tool, tool information)

Technical data – electrical ratings		Technical data – mechanical ratings	
General data		Mounting	
Voltage Supply	Battery Li-SoCl ₂ , not replaceable / not rechargeable		<ul style="list-style-type: none"> • Screw connection with welded mounting ring • Direct integration into tool (screws)
Lifetime	Depending on usage, approx. 5 years	Housing	ABS/PC
Temperature range	-35 °C – 85 °C	Mounting ring	Steel 1.0580 E355
Sensors		Height	70 mm
Acceleration	Max 16 g	Width	100 mm
Yaw rate (Gyro)	Max 2,000 dps	Depth (incl. mounting ring)	25 mm
Other	Temperature	Depth mounting ring	12 mm
Connectivity		Protection class	IP69K (with mounting ring)
Bluetooth®	Bluetooth® v5 Low Energy, Range: approx. 200 m (line of sight)	Weight	450 g (incl. mounting ring)
Mobile communication	NB-IoT / LTE Cat. M1 / 2G EGPRS		
GNSS	GPS, GLONASS, BeiDou/Compass, Galileo		

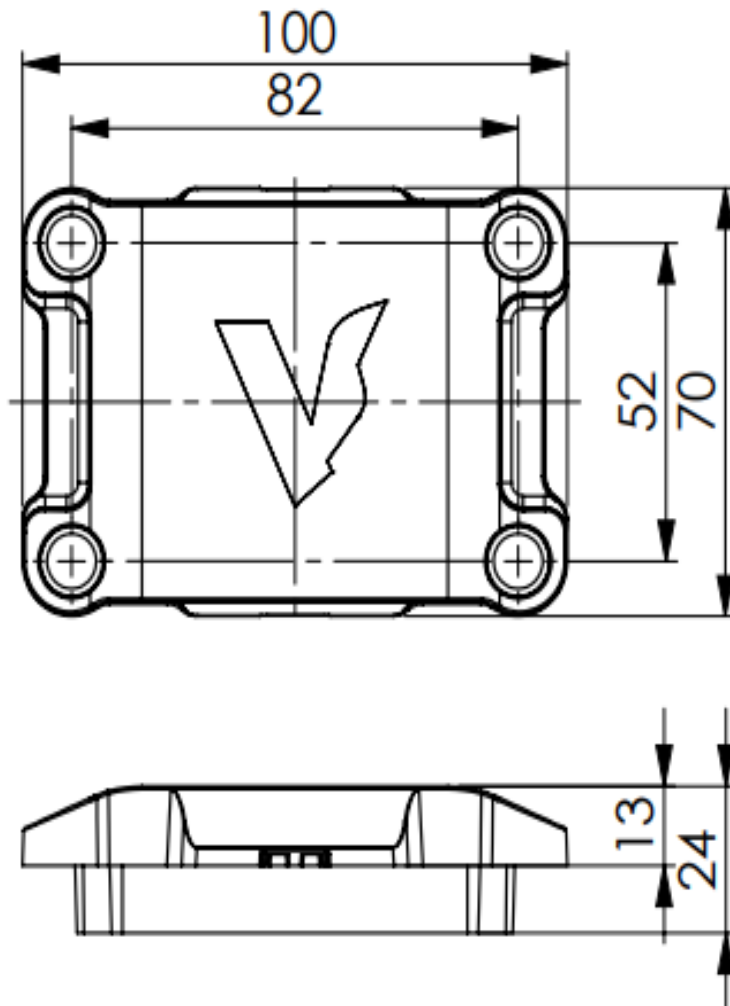
ToolTracker

Basic



VEMCON

Machine Control.
Hands-On & Beyond.



Design is subject to modifications. Errors and omissions may occur.



VEMCON

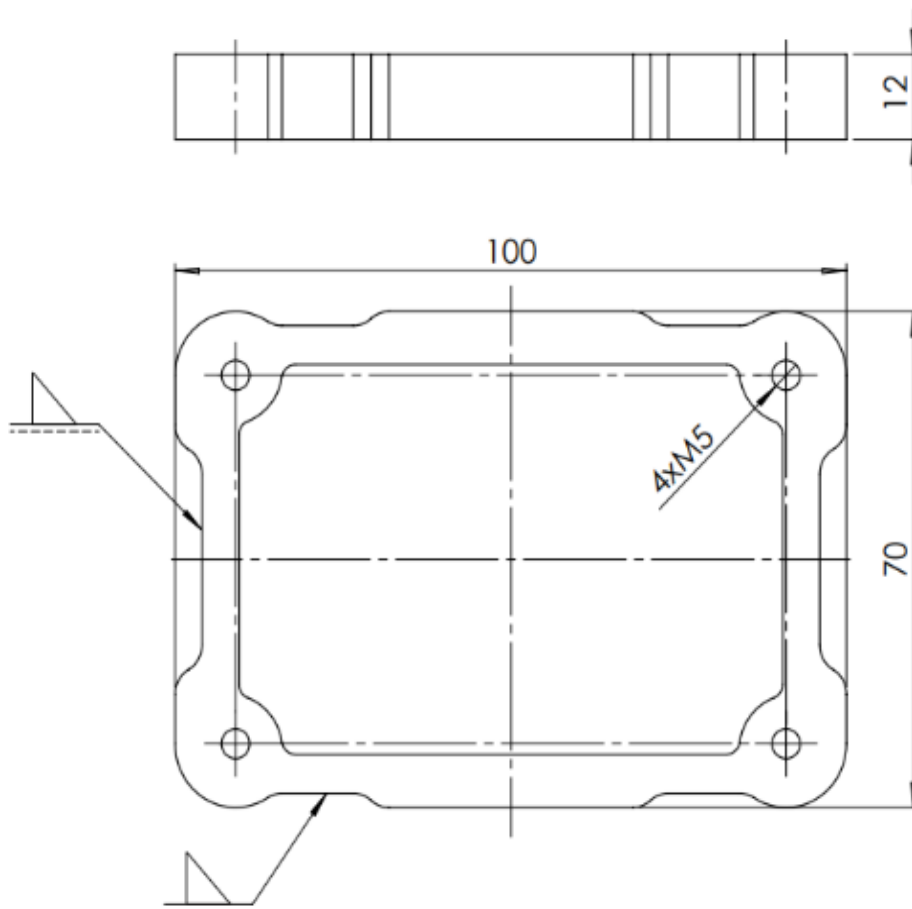
Machine Control.
Hands-On & Beyond.

ToolTracker

Basic

Technical Accessoire

Weld-on mounting ring



Design is subject to modifications. Errors and omissions may occur.